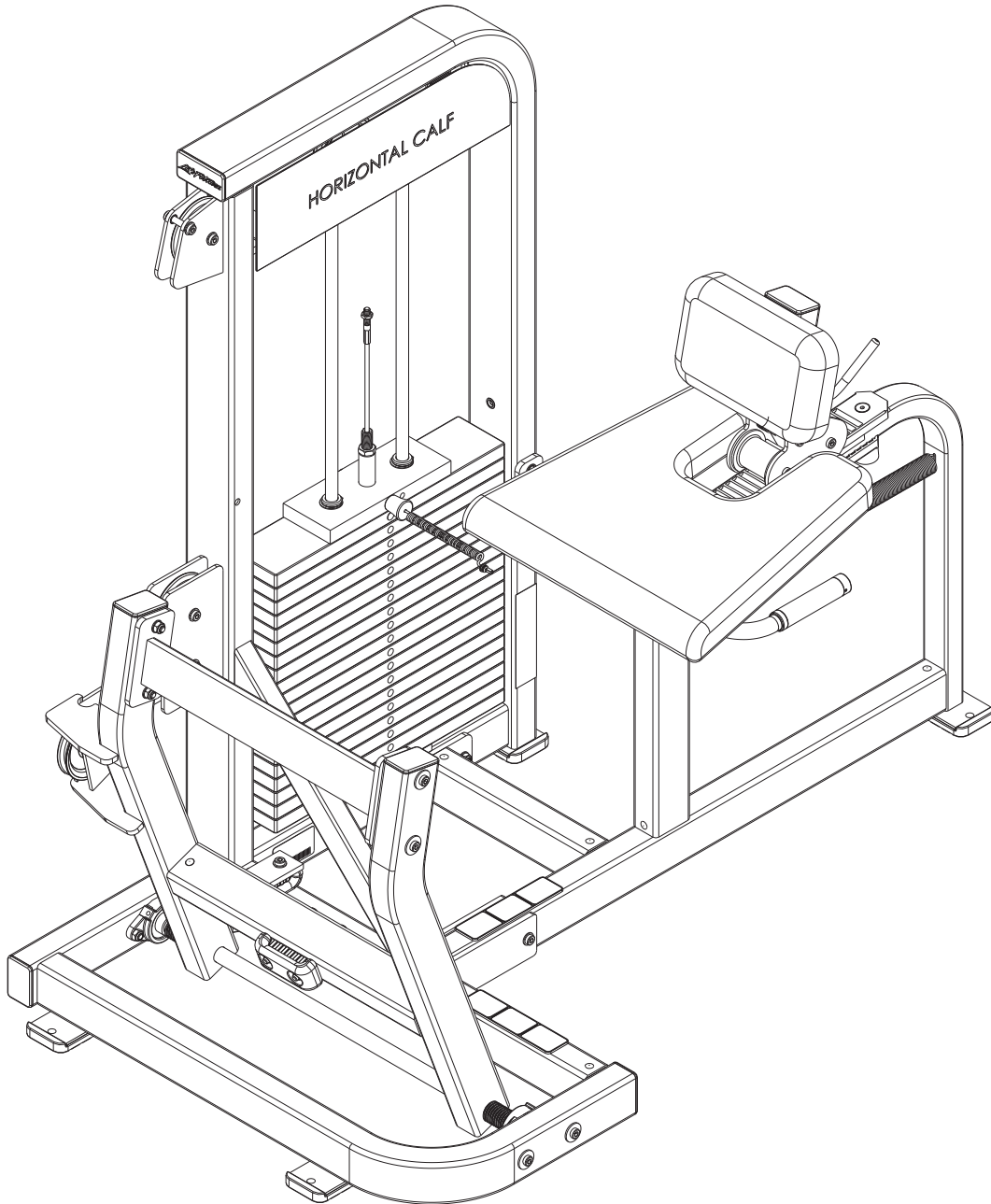




PRO 2 SERIES
PSHC HORIZONTAL CALF

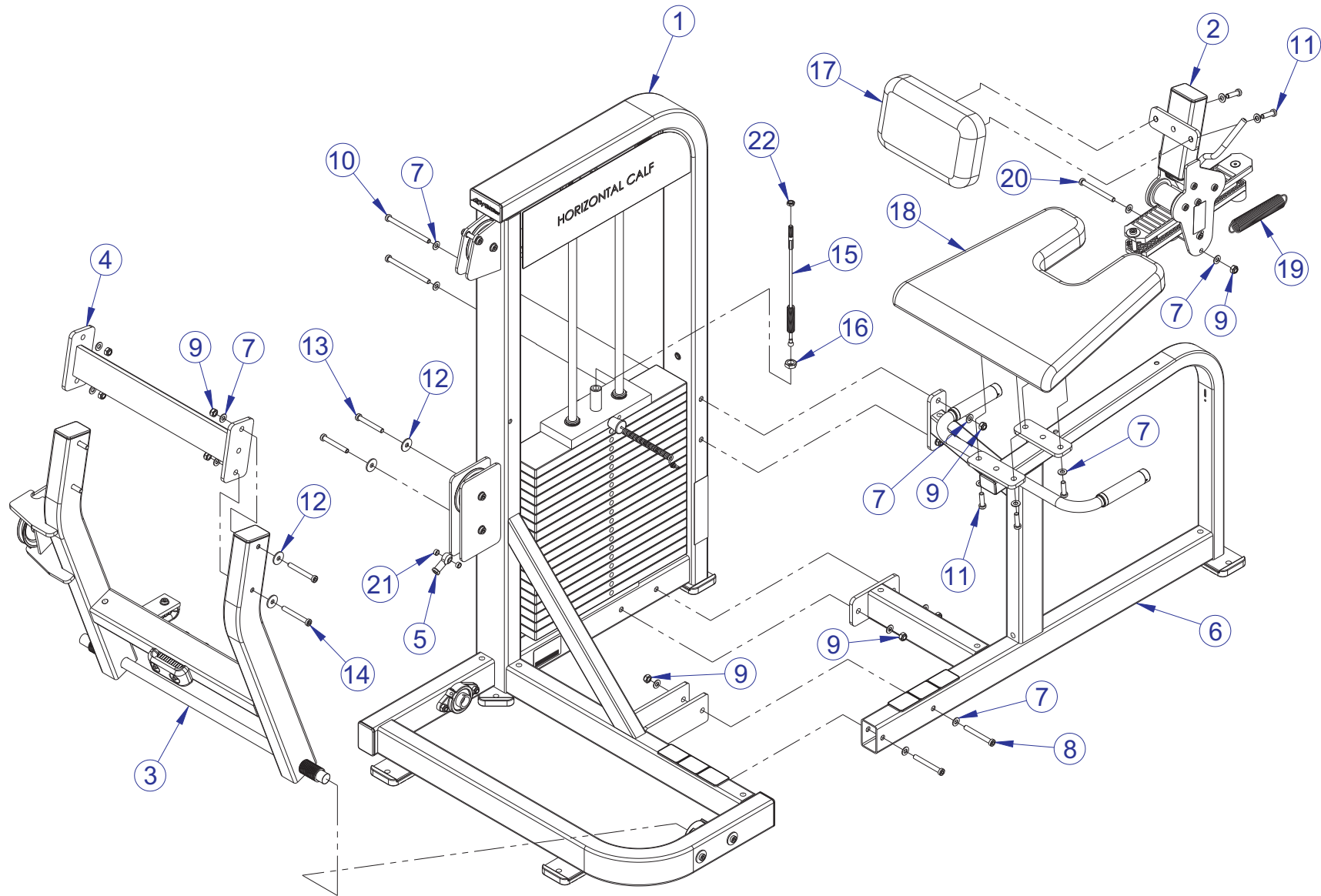


Customer Support Services
PARTS MANUAL

PSHC HORIZONTAL CALF CONTENTS

	Page
COMPONENT ASSEMBLY	3
COMPONENT ASSEMBLY LEGEND	4
SIDE FRAME ASSEMBLY	5
SIDE FRAME ASSEMBLY LEGEND	6
SEAT FRAME ASSEMBLY	7
SEAT FRAME ASSEMBLY LEGEND	8
SEAT BACK FRAME ASSEMBLY	9
SEAT BACK FRAME ASSEMBLY	10
WORK ARM ASSEMBLY	11
WORK ARM ASSEMBLY LEGEND	12
ADD-ON INCREMENT WEIGHT ASSEMBLY	13
WEIGHT STACK (390LB)	14
OPTIONAL REAR SHROUD KIT	15

PSHC HORIZONTAL CALF COMPONENT ASSEMBLY

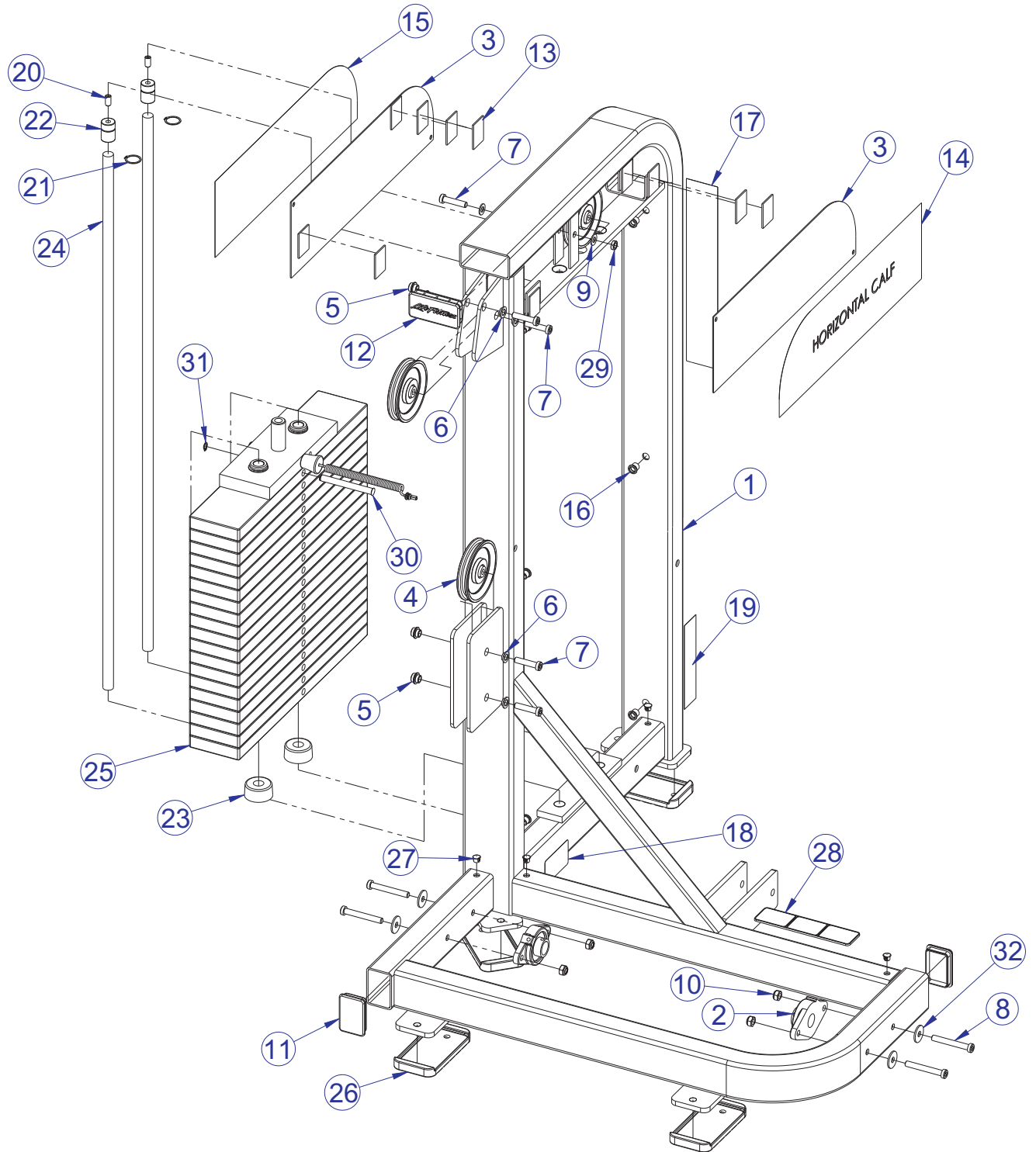


SEE PAGE 4 FOR LEGEND

PSHC HORIZONTAL CALF COMPONENT ASSEMBLY LEGEND

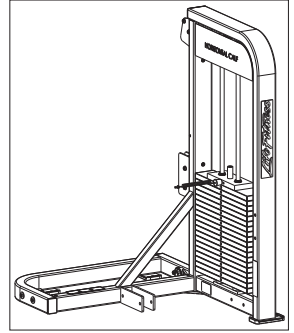
ITEM NO.	QTY.	PART NO.	DESCRIPTION
1	1	7466001	ASSY, PSHC SIDE FRAME
2	1	8712201	ASSY, PSHC, SEAT
3	1	7467001	ASSY, PSHC WORK ARM
4	1	7467701	WLDMT, PSHC FOOT PLATFORM
5	1	3237901	ROD END, METRIC FEMALE
6	1	7468001	ASSY, PSHC-SEAT FRAME
7	22	3236601	WASHER, 3/8 SAE SS
8	2	3236214	SCREW, M10 X1.5 85MM
9	11	3236801	NUT, M10 HEX NYLOCK SS
10	2	3236220	SCREW, M10 X1.5 130MM
11	6	3236204	SCREW, M10 X1.5 35MM
12	6	3236602	WASHER, 3/8 ID X 1.25 OD SS
13	2	3236212	SCREW, M10 X1.5 75MM
14	4	3236213	SCREW, M10 X1.5 80MM
15	1	7423610	CABLE, PSHC
16	1	3236902	NUT, M16 X 2 HEX JAM SS
17	1	73993XX	PAD. 7 X 11-1/4
18	1	74591XX	PAD, SEAT 18-1/2 X 19-7/8
19	1	7442601	SPRING, PRO2 ROLLER SEAT
20	1	3236217	SCREW, M10 X1.5 100MM
21	2	7489402	BSHNG, .500 OD X .402 ID X .235
22	1	3236901	NUT, M10 X 1.5 JAM

PSHC HORIZONTAL CALF SIDE FRAME ASSEMBLY - 7466001



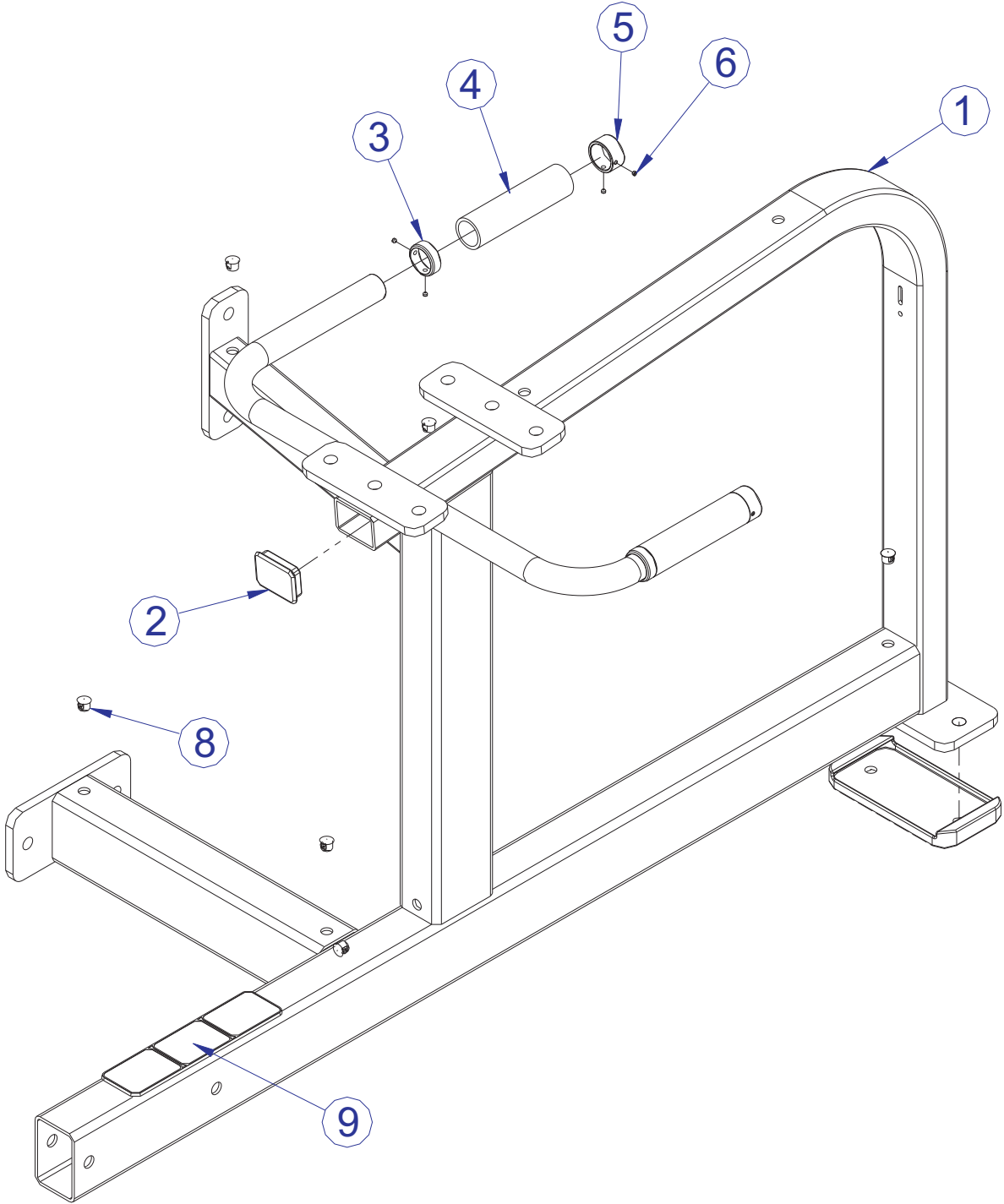
SEE PAGE 6 FOR LEGEND

PSHC HORIZONTAL CALF SIDE FRAME ASSEMBLY LEGEND



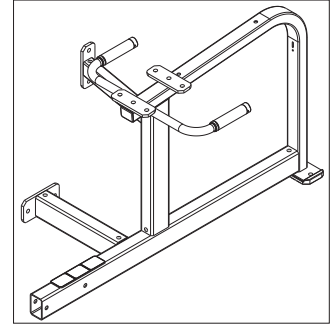
ITEM NO.	QTY.	PART NO.	DESCRIPTION
1	1	7466101	WELDMENT, PSHC-SF
2	2	3237701	ASSY, PILLOW BLOCK 4.88 X 2.75
3	2	7606702	COVER, STACK-PRO2 WIDE
4	3	3237801	PULLEY, 4.5" OD
5	4	7335401	NUT, M10 X 1.5 SOCKET HEAD
6	4	7348101	WASHER, SPACER
7	5	3236206	SCREW, M10 X1.5 45MM
8	4	3236212	SCREW, M10 X1.5 75MM
9	2	3236601	WASHER, 3/8 SAE SS
10	4	3236801	NUT, M10 HEX NYLOCK SS
11	2	7352301	CAP, END 2 X 3
12	1	7352401	CAP, END 2 X 4
13	12	7544202	PAD, DUAL LOCK 250 1.5" X 2.0"
14	1	7490301	LABEL, PSHC PLACARD
15	1	7491601	LABEL, PSHC LOGO PANEL
16	6	3238101	NUT, BLIND INSERT M10 X 1.5
17	1	7348001	LABEL, LIFE FITNESS LOGO
18	1	7571301	LABEL, SERIAL NUMBER
19	1	7422004	LABEL, 2" ASTM WARN
20	2	3240501	M10 X 1.5 HXS NO CUP ST BO
21	2	3232421	RING, BRE .940, 5100-100 ST PP B
22	2	7402301	RETAINER, GUIDEROD
23	2	7352101	CUSHION, WEIGHT STACK
24	2	7328604	GUIDE ROD, .75 OD SOLID 43.88
25	1	7353601	ASSY, 390LB STACK
26	4	7388201	FOOTPAD, PS RUBBER
27	4	3237401	PLUG, 7/16" HOLE
28	1	7590101	GUARD, PRO 2 PAINT
29	1	3236901	NUT, M10 X 1.5 JAM
30	1	7564501	PIN, FZ/PS, WEIGHT PLATE
31	1	3243901	RING, BRE M11, ST, PP
32	4	3236602	WASHER, 3/8 ID X 1.25 OD SS

PSHC HORIZONTAL CALF SEAT FRAME ASSEMBLY - 7468001



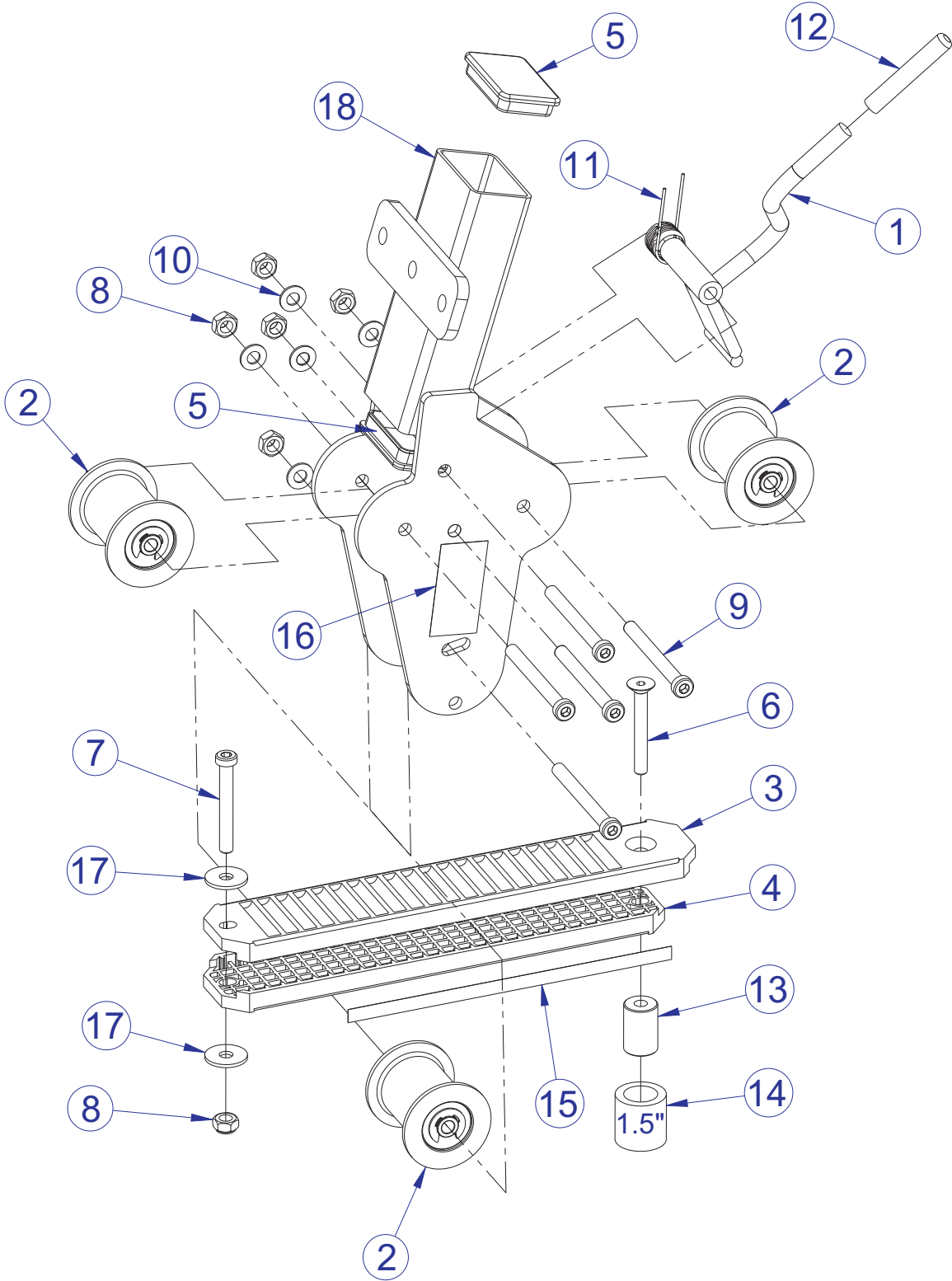
SEE PAGE 8 FOR LEGEND

PSHC HORIZONTAL CALF SEAT FRAME ASSEMBLY LEGEND



ITEM NO.	QTY.	PART NO.	DESCRIPTION
1	1	7468101	WLDMT, PSHC SEAT FRAME
2	1	7352201	CAP, END 1-1/2 X 2
3	2	7662801	RING, GRIP 1.25 OD
4	2	3235801	GRIP, TBC
5	2	7662901	CAP, GRIP 1.25 OD
6	8	3247701	M4 X .7 HXS NO CUP ST BO
7	1	7388201	FOOTPAD, PS RUBBER
8	6	3237401	PLUG, 7/16" HOLE
9	1	7590101	GUARD, PRO 2 PAINT

PSHC HORIZONTAL CALF SEAT ASSEMBLY - 8712201

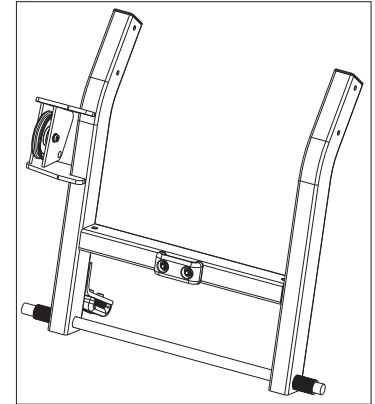


SEE PAGE 10 FOR LEGEND

PSHC HORIZONTAL CALF SEAT BACK FRAME ASSEMBLY LEGEND

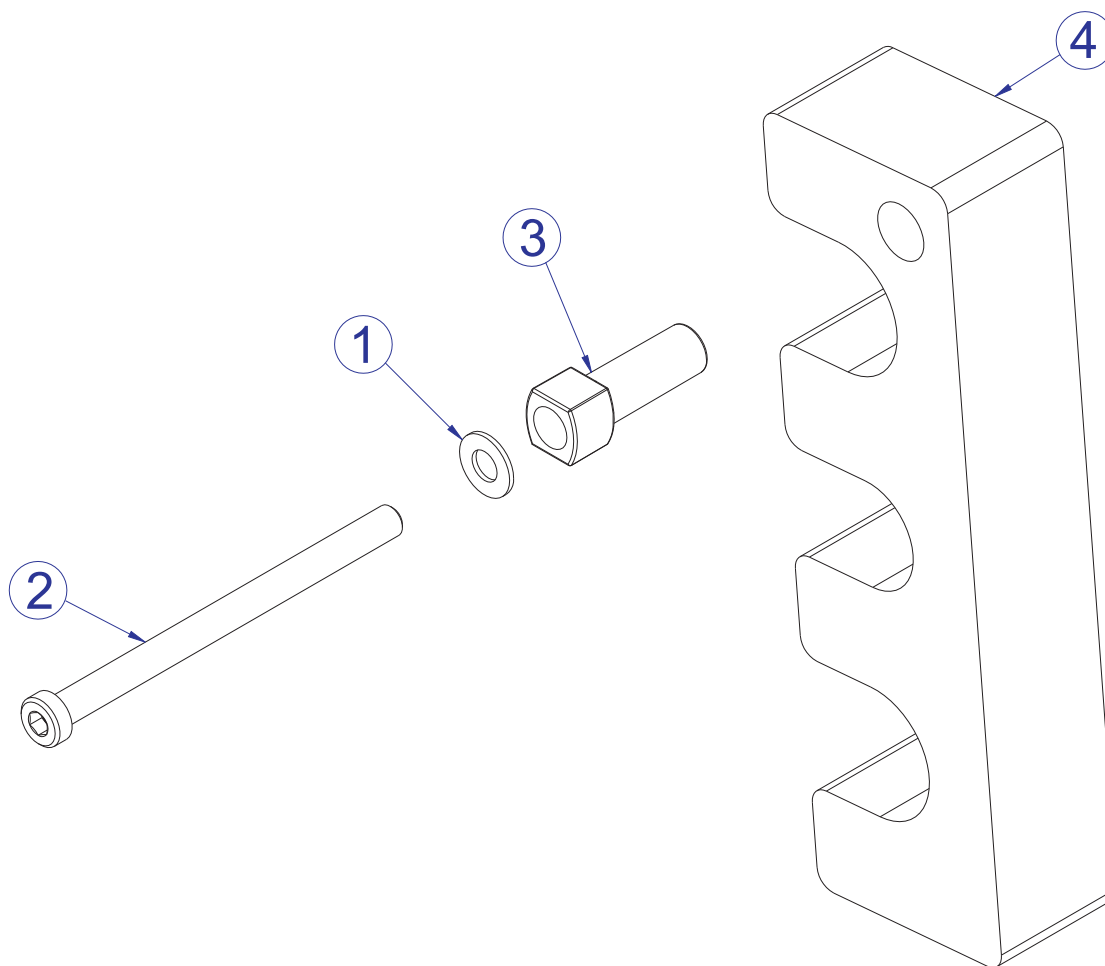
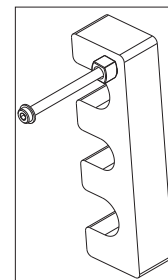
ITEM NO.	QTY.	PART NO.	DESCRIPTION
1	1	8417295	WLDMT, MTS HANDLE 97 SEAT SG
2	3	7564201	ASSY, SEAT ROLLER
3	1	8416801	TRACK, SEAT - SERRATED
4	1	7564401	SEATRACK, FLAT
5	2	7352301	CAP, END 2 X 3
6	1	3238312	M10x1.5x75MM
7	1	3236212	SCREW, M10 X1.5 75MM
8	6	3236801	NUT, M10 HEX NYLOCK SS
9	5	3236217	SCREW, M10 X1.5 100MM
10	5	3236601	WASHER, 3/8 SAE SS
11	1	7442701	SPRNG, PRO2 HANDLE TORSION
12	1	3238502	CAP, 1/2 X 3
13	1	7570601	STOP, ROLLER SEAT
14	1	3235802	GRIP, SHADOW GRAY, 1.5"
15	1	7422002	LABEL, SEAT ADJUST
16	1	7422001	LABEL, SEAT INST
17	2	3236602	WASHER, 3/8 ID X 1.25 OD SS
18	1	8712300	WLDMT, PSHC, SEAT BACK

PSHC HORIZONTAL CALF SEAT FRAME ASSEMBLY LEGEND



ITEM NO.	QTY.	PART NO.	DESCRIPTION
1	1	7467101	WLDMT, PSHC WORK ARM
2	1	3237801	PULLEY, 4.5" OD
3	2	7352001	BUMPER, 2-1/8 X 4-5/8
4	8	3236601	WASHER, 3/8 SAE SS
5	1	3236206	SCREW, M10 X1.5 45MM
6	4	3236801	NUT, M10 HEX NYLOCK SS
7	1	7348101	WASHER, SPACER
8	2	3236205	SCREW, M10 X1.5 40MM
9	1	7335401	NUT, M10 X 1.5 SOCKET HEAD
10	2	7352301	CAP, END 2 X 3
11	2	3236218	SCREW, M10 X1.5 110MM
12	2	6912804	SLEEVE, ACCRDN 1.0 ID X 2
13	1	7422003	LABEL, MOVING PARTS
14	4	3237401	PLUG, 7/16" HOLE

PSHC HORIZONTAL CALF ADD-ON INCREMENT WEIGHT ASSEMBLY - 7415001

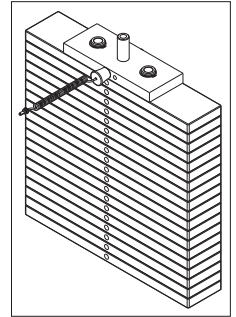
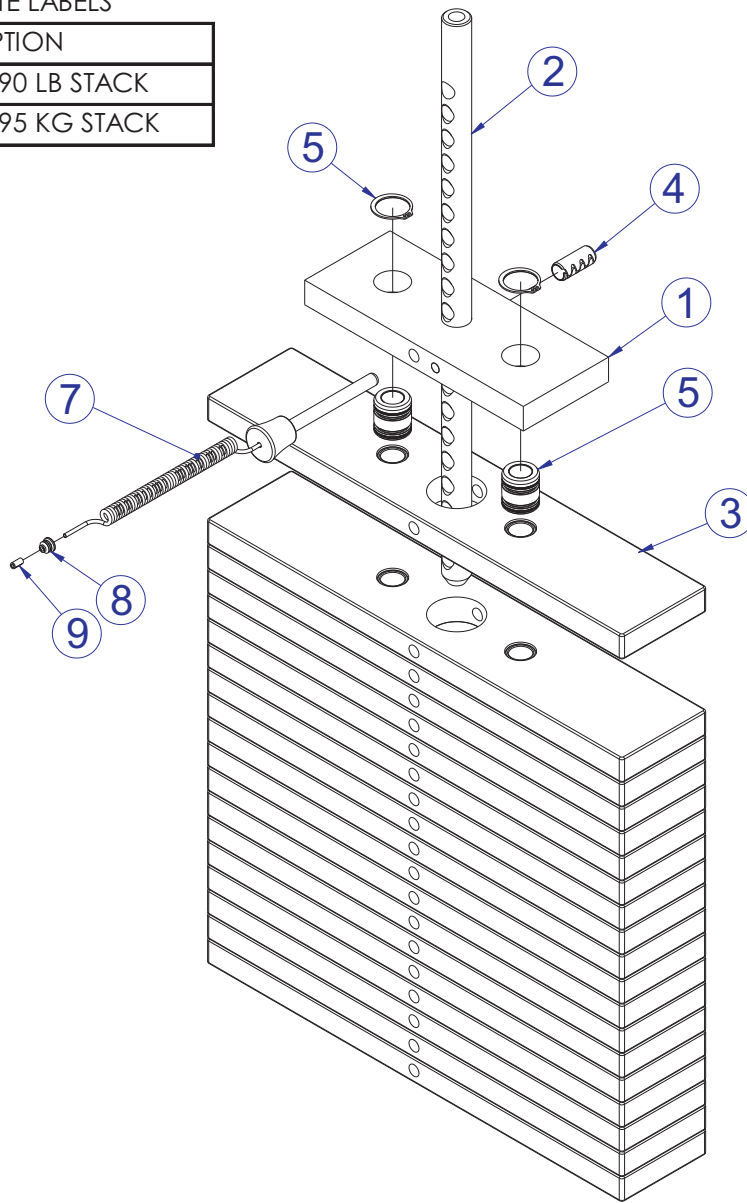


ITEM NO.	QTY.	PART NO.	DESCRIPTION
1	1	3236601	WASHER, 3/8 SAE SS
2	1	3236221	SCREW, M10 X1.5 140MM
3	1	7401701	COVER, PLASTIC PEG 2-1/4
4	1	7366101	WEIGHT, 7.5 LB. ADD-ON

PSHC HORIZONTAL CALF WEIGHT STACK ASSY 390LB - 7353601

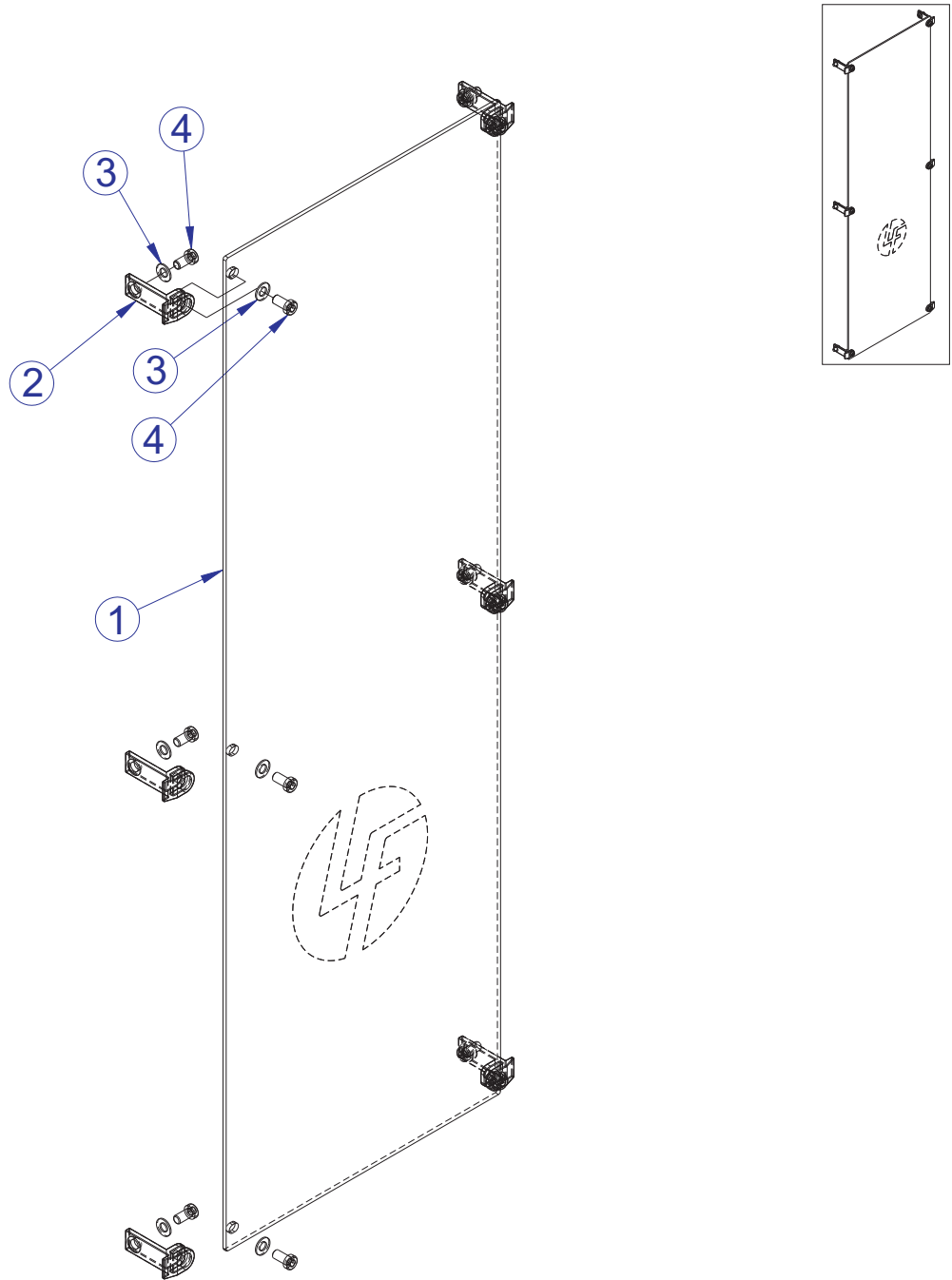
WEIGHT PLATE LABELS

PART NO.	DESCRIPTION
7927201	LABEL, 390 LB STACK
7927301	LABEL, 195 KG STACK



ITEM NO.	QTY.	PART NO.	DESCRIPTION
1	1	7353901	HEADPLATE, WT. STACK
2	1	7356601	STEM, PRO2 19 HOLE
3	19	7328401	WEIGHT PLATE, 20 LB
4	1	3236001	BUSHING, SPRING PIN
5	2	7338001	BUSHING, HEADPLATE
7	1	7353001	ASSY, SELECTOR PIN
8	1	7356501	PLUG, LANYARD ATTACHMENT
9	1	7523601	CRIMP, CABLE

PSHC HORIZONTAL CALF OPTIONAL REAR SHROUD KIT WIDE-SHORT - 7415204



ITEM NO.	QTY.	PART NO.	DESCRIPTION
1	1	8352404	SHROUD, PS REAR 42.5 X 21.43
2	6	7655301	BRACKET, PS REAR SHIELD
3	12	3236601	WASHER, 3/8 SAE SS
4	12	3236201	SCREW, M10 X1.5 20MM